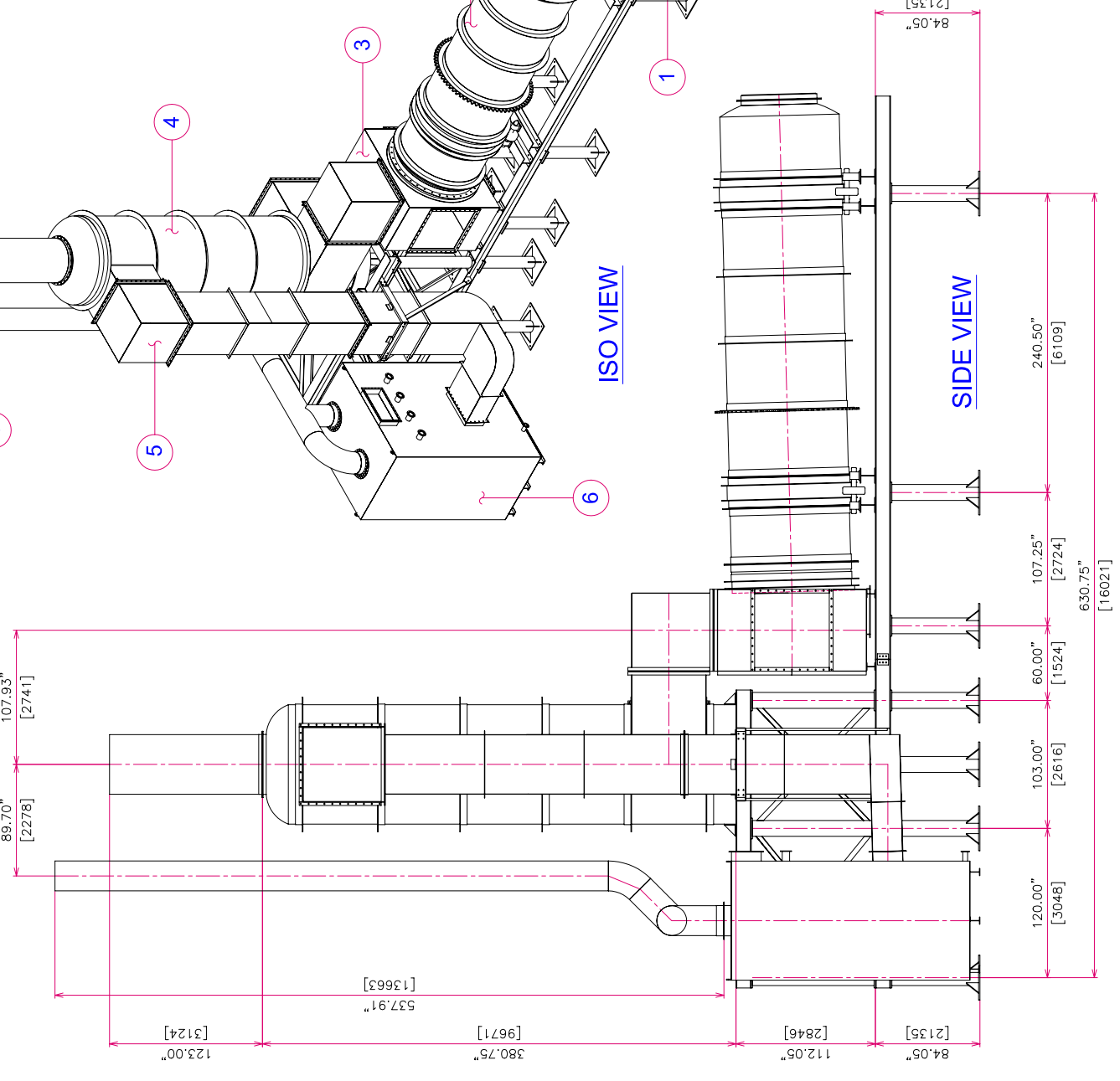
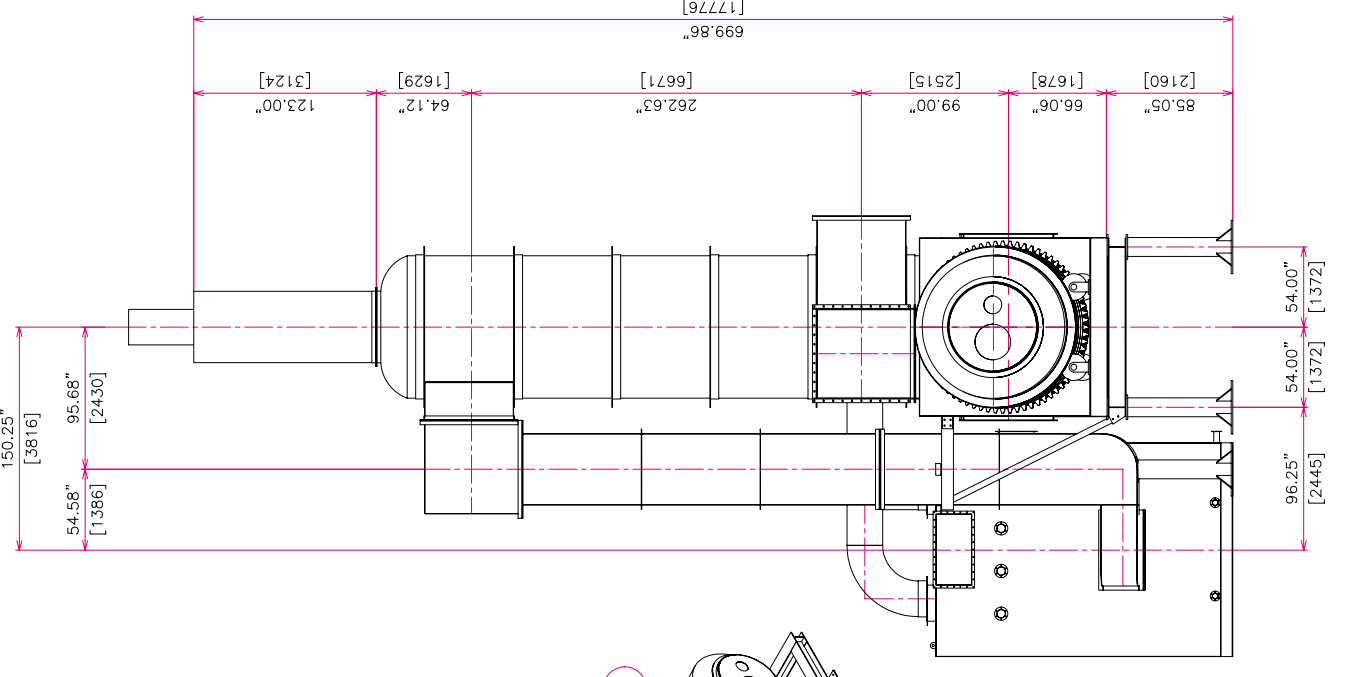
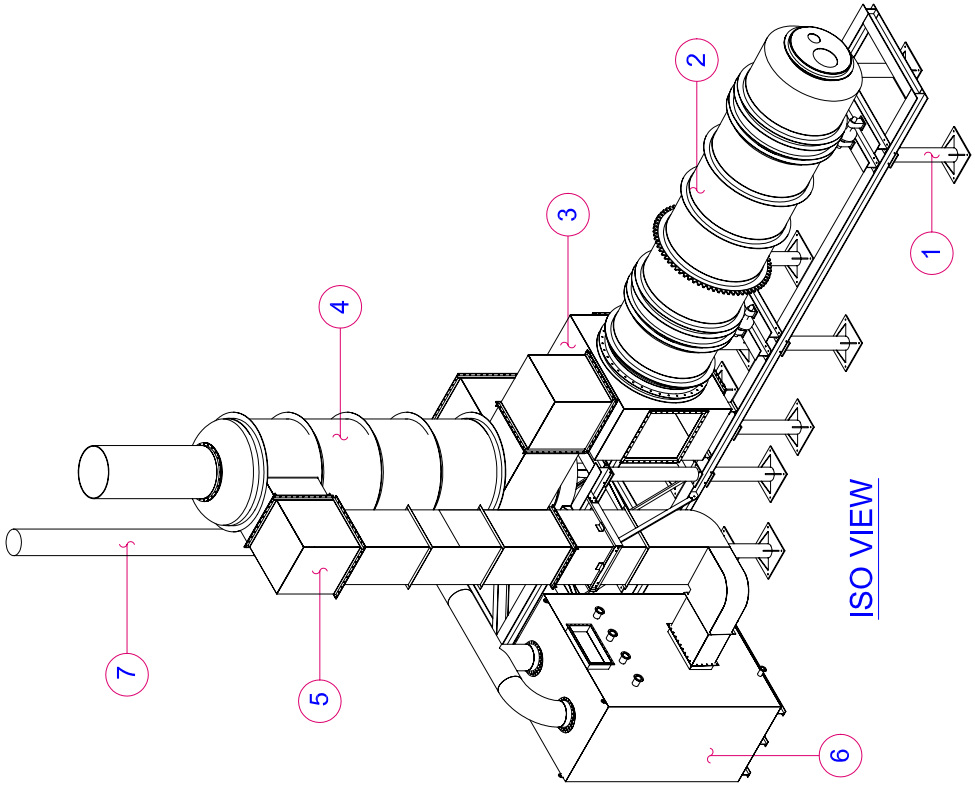
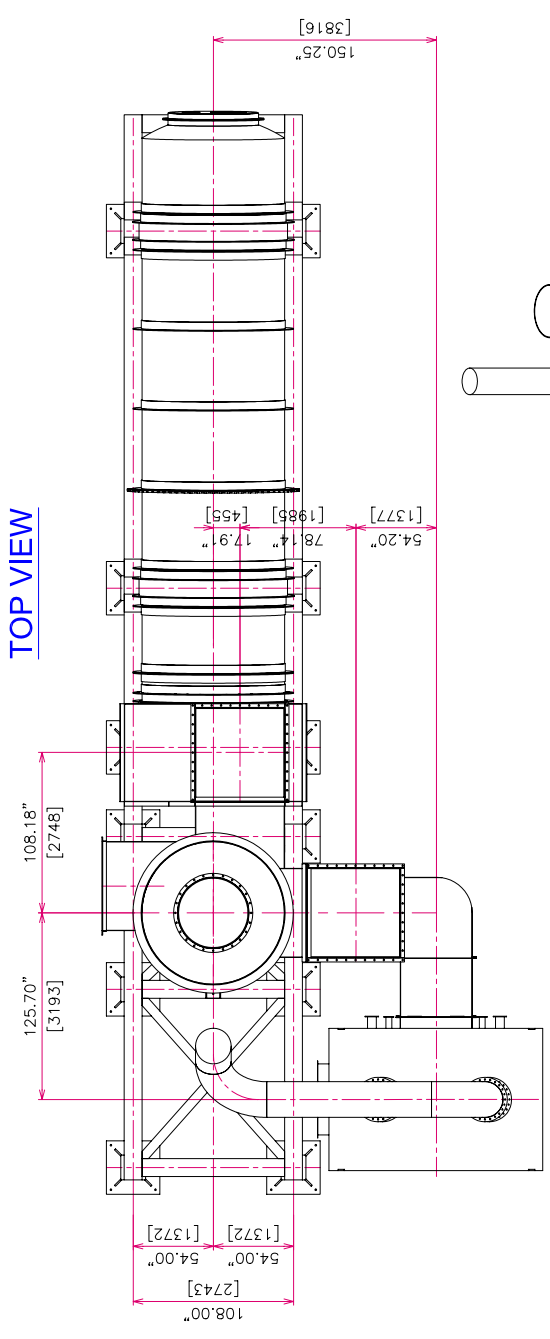


ROTARY KILN SOLID WASTE PROCESSOR GENERAL ASSEMBLY

ITEM NO.	DESCRIPTION	QUANTITY	REMARKS
1	ROLLER FRAME	1	
2	ROTARY ASSEMBLY	1	
3	CHAMFER SECTION & FURNACE	1	
4	ALTER BURNER	1	
5	GEYING GAS CHIMNEY	1	
6	SCHEMATIC	1	
7	CHIMNEY	1	



KEY PLAN

SHOP NOTES

REV.	DESCRIPTION	SIGN	DATE

Hitemp Technology

PROJECT : ROTARY KILN SOLID WASTE PROCESSOR
 CUSTOMER : ALIRON INTERNATIONAL INC.
 LOCATION : CALAMBA, LAGUNA

**ROTARY KILN SOLID WASTE PROCESSOR
GENERAL ASSEMBLY**

PROJECT NO. _____
 P/R NO. _____
 DATE ISSUED _____
 PLACE ISSUED _____

CIVIL CONTRACTOR _____ OWNER/REPRESENTATIVE _____
 AS SHOWN _____ ENG-RK-ASS-FD-01 _____
 SCALE _____ JOB ORDER _____ DWG. NO. _____ SHT NO. REV. _____